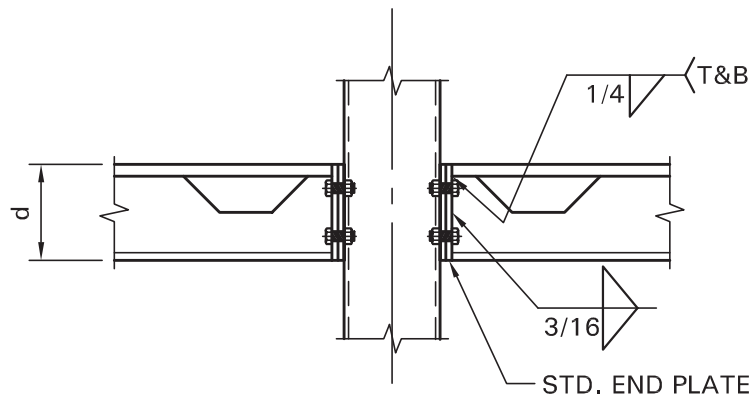


PLAN



ELEVATION

TYPICAL PLAN/ELEVATION: 8" D-BEAM®
CONNECTION TO HSS COLUMN

ENG. NOTE:
 - USED AT EXPOSED COLS. w/
 CONCEALED CONNS.
 - MUST NOTE TO STABILIZE
 ALL D-BEAMS®
 - MODIFY w/ BOLTS "OUTSIDE"
 OF D-BEAM® FOR NORMAL CONN.